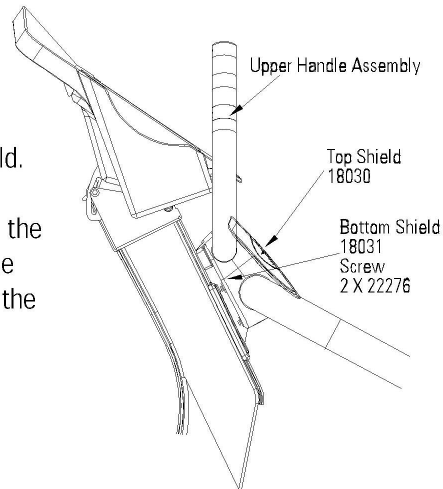


PARTS REMOVAL AND REPLACEMENT

3. **4600 PT/CL:** Use the fastener removal tool to release the cover fasteners and separate the top covers.
4. To reinstall the 4400 PT/CL and 4200 PT fasteners, remove the pin completely from the base. Insert the base into the hole in the covers. Insert the pin into the base until it is flush with the base.

Shield (4600 PT/CL)

1. Remove the two mounting screws from the bottom shield.
2. Separate the top shield from the bottom shield and remove the upper and lower shield from the handrail.



Bottom Cover

1. Remove the mid cover.
2. **4600/4200/4400 PT:** Disconnect the DC power cable from the connector located on the bottom side of the left bottom cover.
3. Remove the fastener located on each side of the lower edge of the bottom cover (see Figure 24).
4. **4400/PT/CL, 4200 PT:** Kneel in front of the machine, facing the cover seam. Push in and hold both sides of the lower cover to disengage the locking tabs at the joint between the upper and lower covers. Use your hands to push up the top cover and separate the top cover from the bottom cover. Pull out and forward on the lower cover to remove it from the frame.

4600 PT/CL: Remove the cover fasteners and separate the left and right top cover from each other. Pull out and forward on the lower cover to remove it from the frame.